



## WORKING TABLE with edge



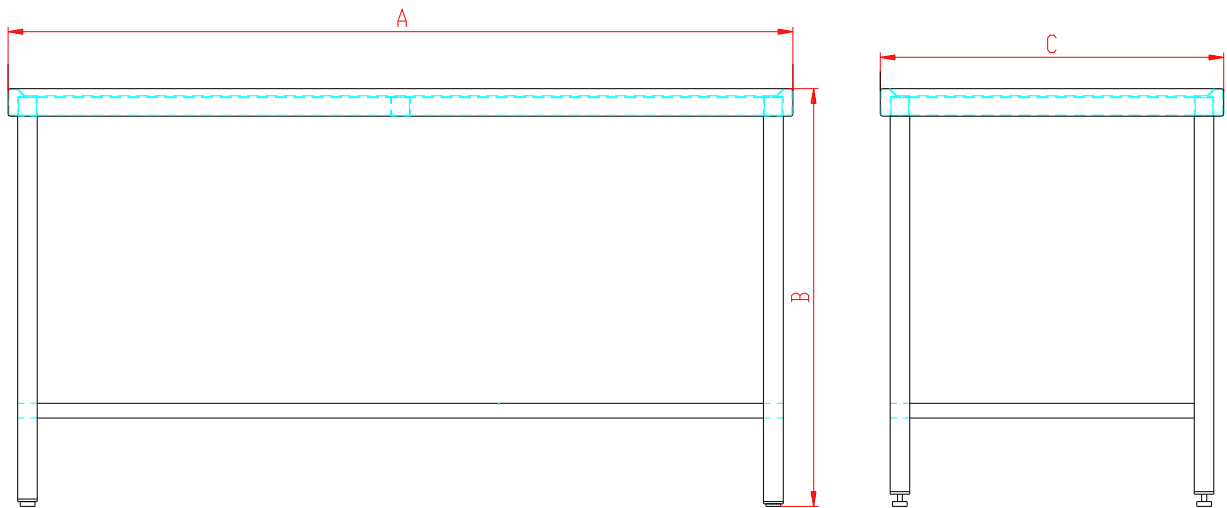
---

**Strojírna Pálava Maxima s.r.o.**

DESÁTKOVÁ 124/15, 623 00 BRNO KOHOUTOVICE  
Manufactory: TOVÁRNÍ 34, 679 32 SVITÁVKA, CZECH REPUBLIC  
tel: +420 - 516 453 834, fax: +420 - 516 453 834  
e-mail: [info@s-palava.cz](mailto:info@s-palava.cz); [www.s-palava.cz](http://www.s-palava.cz)

**WORKING TABLE**  
with edge

---



The table is made of stainless steel polished material and answers to high exigencies for cleaning and hygiene. The working board is lined with an edge around all over the circuit to prevent falling the goods down on the floor. There is a place for full trolleys in lower part of the table. Adjustable feet allow right table settlement.

Dimensions fulfilment can be done according to the customer's wish.

**Technical data**

Length - A	1440 mm
Height - B	900 mm
Width - C	940 mm